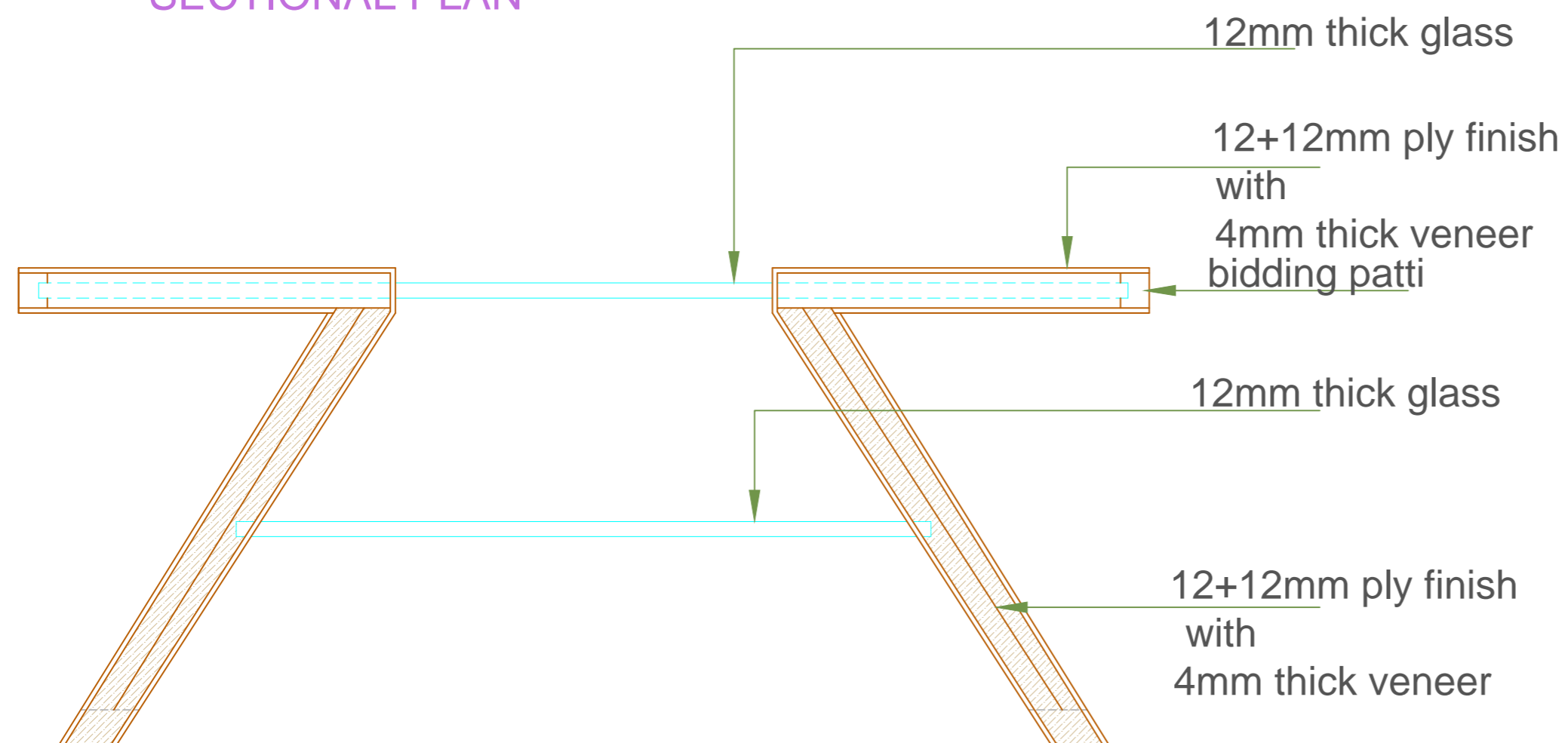


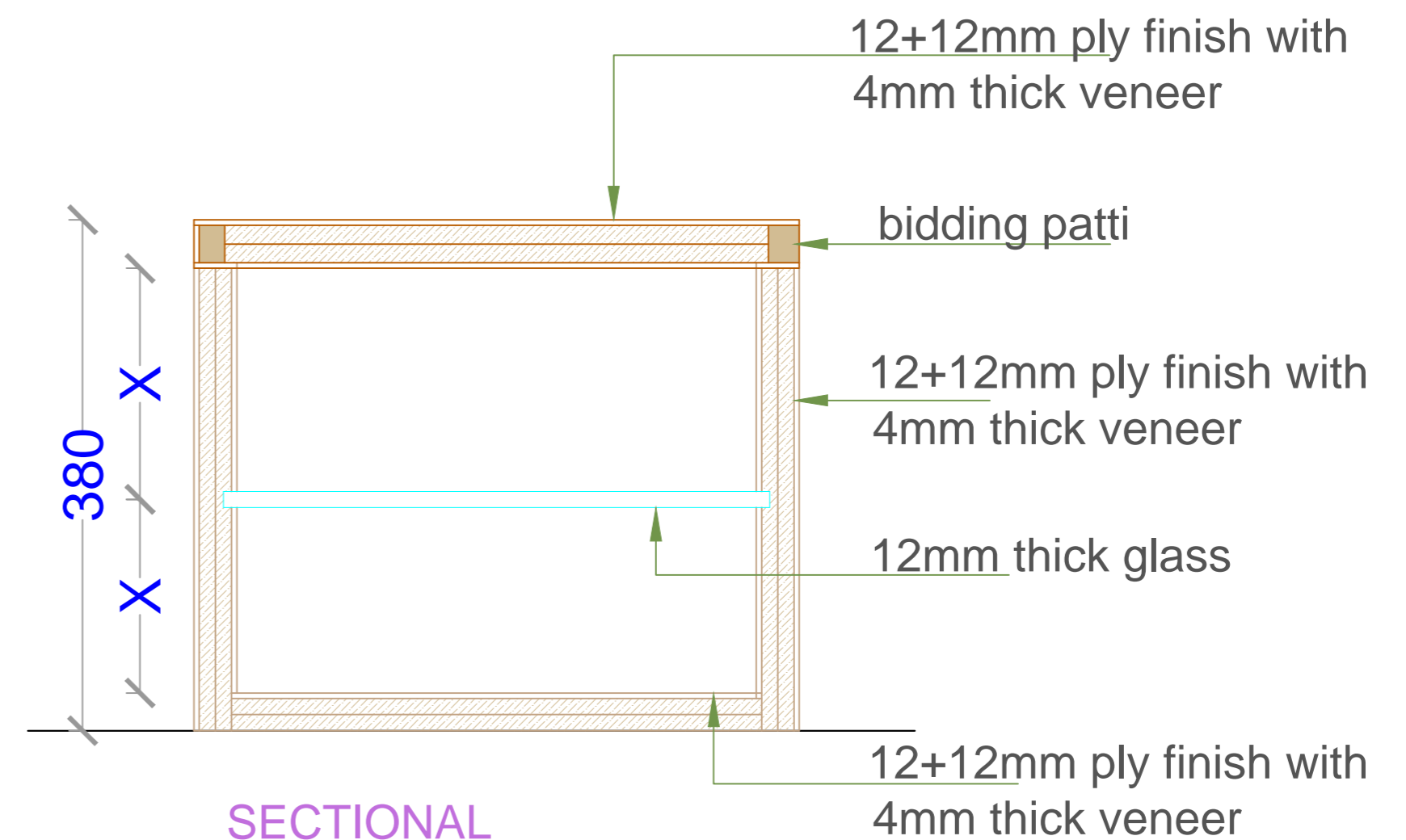
SECTIONAL PLAN



REF IMAGE



SECTIONAL ELEVATION- B



SECTIONAL ELEVATION- A

PROJECT :- INTERIOR  
 CLIENT :- CANARA BANK , GIFT CITY  
 DATE : 15-02-2020

DRG. NO. :- CANARA BANK/2020 /INTERIOR / 13

DRAWING:- VENEER FINISH CENTER TABLE:-

**SARJAN**  
 ARCHITECTS & PROJECT CONSULTANT

51, River Palace- A, Opp. Old Civil Court, Nanpura, Surat- 395001.  
 E-Mail: sarjanarch.pc@gmail.com Web: www.sarjanarchitects.com

Contact: +91-261-2476778/ 9879604444